

Dryzone[®]

KUNSHAN GAOQIANG INDUSTRIAL EQUIPMENT CO.,LTD.

No. 2898 Beimen Rd., Kunshan, Jiangsu, China

Tel: +86-21-61275768 Fax: +86-21-64012467

Website: www.dryzone.biz

For product safety and the best performance of the cabinet,
please read the instruction manual carefully before using.

M20200615.02

Dry Cabinet

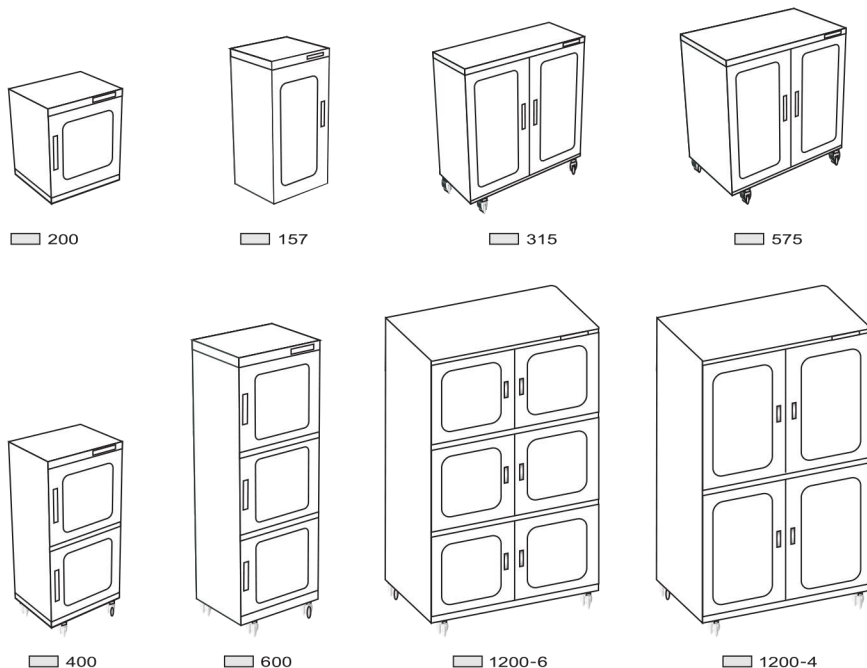
Warranty 11

1. If the dry cabinet is out of function, please continue recording the relative humidity graph for 24 hours then send it to us.
2. Please call your supplier for assistant. In case of parts repairing, please wrap the unit into our original packing boxes and deliver it back to us.
3. Please do not attempt to open or repair the dehumidifier unit by yourself.

Contents

Introduction	1
Installation	2
Relative Humidity Setting	7
Notes	8
Warranty	11

Dry Cabinet



■ Suggested use

45~55%RH

Magnetic Diskettes, Magnetic Tapes, Cameras, Lenses, Video Camcorder, Projector and Slides, Telescope, Photographs, Photonegatives, Audio Cassette Tapes, Video Cassette Tapes, Calligraphy, Antique Paintings, Watercolor Paintings, Oil Paintings, Stamp Collection, Coin Collection, Antique Collectibles, CDs, LD, Records, Engineering Drawing, Advertising Mock-up, Leather, Receivers, etc...

35~45%RH

Sensitive Electronic Instruments, Electronic Devices, Measuring Devices, Semiconductors, Capacitor, Battery, Sensors, etc...

Below 35%RH

Medicine, samples, seeds, pollen, dried flowers, spices, tea, coffee, snacks, dried food products, etc...

Below 5%RH

Special chemicals, electronic components, etc...

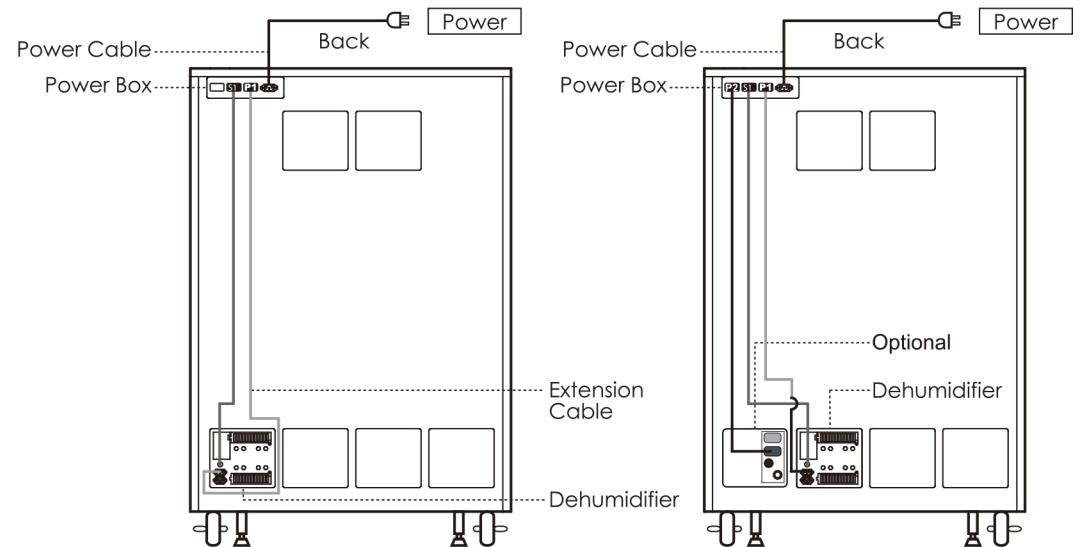
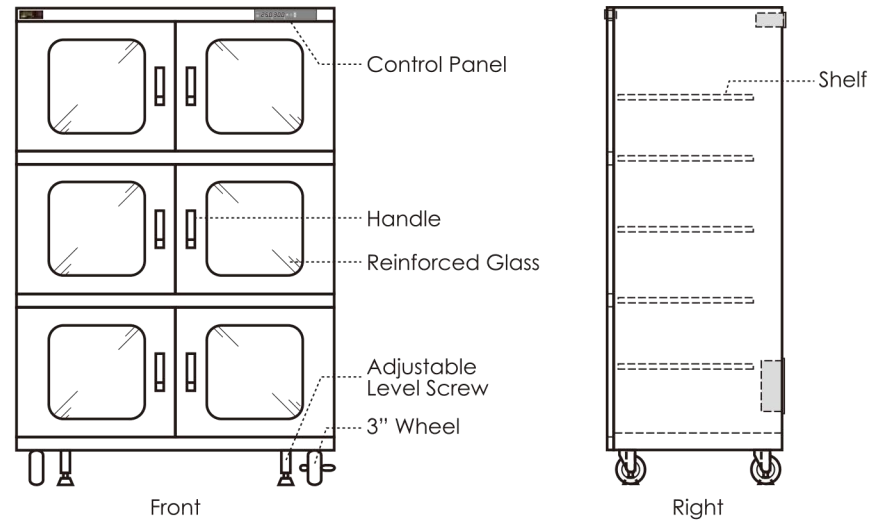
Magnetic Diskettes, Magnetic Tapes, Cameras, Lenses, Video

Humidity control range	≤5%RH (auto)		15~50%RH (adjustable)				1~50%RH (adjustable)	
	200	157	315	575	400	600	1200-6	1200-4
Type	200	157	315	575	400	600	1200-6	1200-4
Capacity	202L	165L	334L	607L	413L	624L	1250L	1250L
Alert setting	Optional							
Display Range	0.1~99.9%RH, 0~50 °C							
Precision of H/T Sensors	±3.0%RH, ±1.0 °C							
Resolution of H/T	0.1%RH, 0.1 °C							

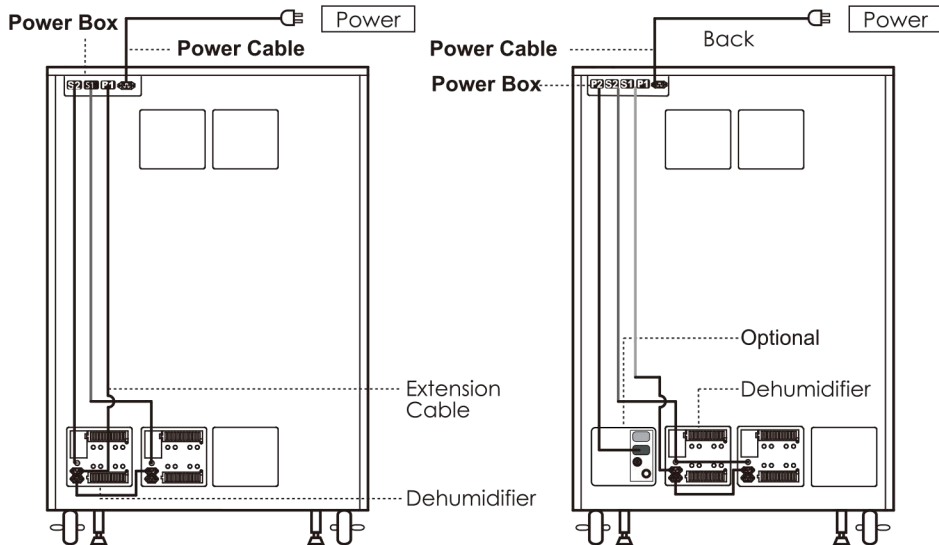
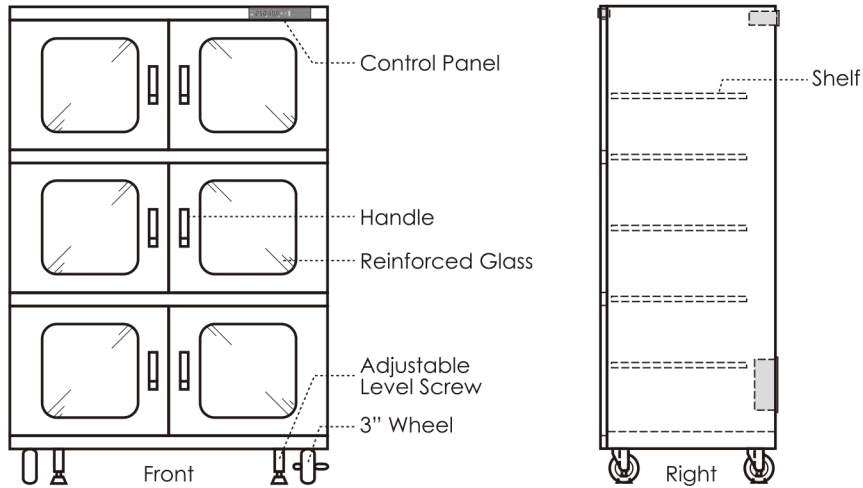
⚠ STRICTLY PROHIBIT ⚠

- The following chemicals will cause severe and permanent damage to the sensors.
Ammonia Hydroxide, Acetone, Ethanol, Methanol, Formaldehyde, Benzene, Toulene, Xylene.
- Do not touch the sensors barehanded as it might tamper the sensor and resulting for a re-calibration or even worse, damaged it completely.

■ Dry Cabinet (15~50%RH)



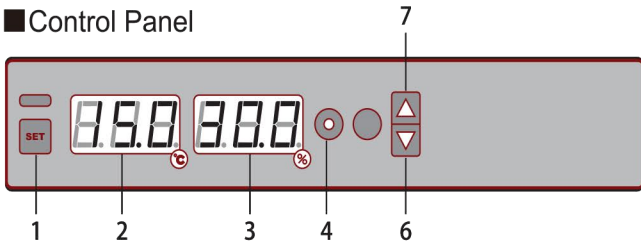
■ Dry Cabinet (1~50%RH)



■ For Proper Installation

- 1.The dry cabinet is operated under the condition at 30 °C , 60%RH.
- 2.Place the dry cabinet on a flat ground.
- 3.Please keep the cabinet away from direct outlet of ventilation.
Because the strong wind pressure will penetrate into the cabinet.
- 4.Please keep the cabinet away from the wall for at least 10-15cm,
so this can facilitate the moisture purging process.
- 5.Do not share the power socket with other appliances.
- 6.For the first time usage, Plug it in & Keep the box empty for at least
24 hours before storing any items.
- 7.When storing high moisture materials items(e.g. paper, woodcraft),
it is normal that the relative humidity rise high and then drop at a
slower rate. (Sometimes it takes 1 or 2 days for moisture gradually to
come out to reach to the presetting relative humidity.)
- 8.Highly corrosive, inflammable and explosive items are prohibited to
store inside the dry cabinet.
- 9.Please ensure all above installation procedure have been taken
care of before plug it in.

■ Control Panel



Description:

1. SET button
2. Temperature display
3. Humidity display
4. SELECT button
6. DOWN button
7. UP button

■ Relative humidity setting:

If the desired interior environment of cabinet is at 20%RH.

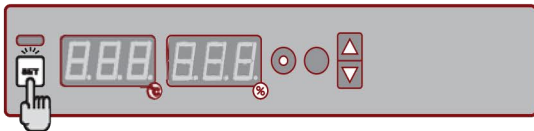
STEP1 Press and hold ▲, then press SET. (The humidity display will show H, while the temperature display will flash the current humidity setting.)



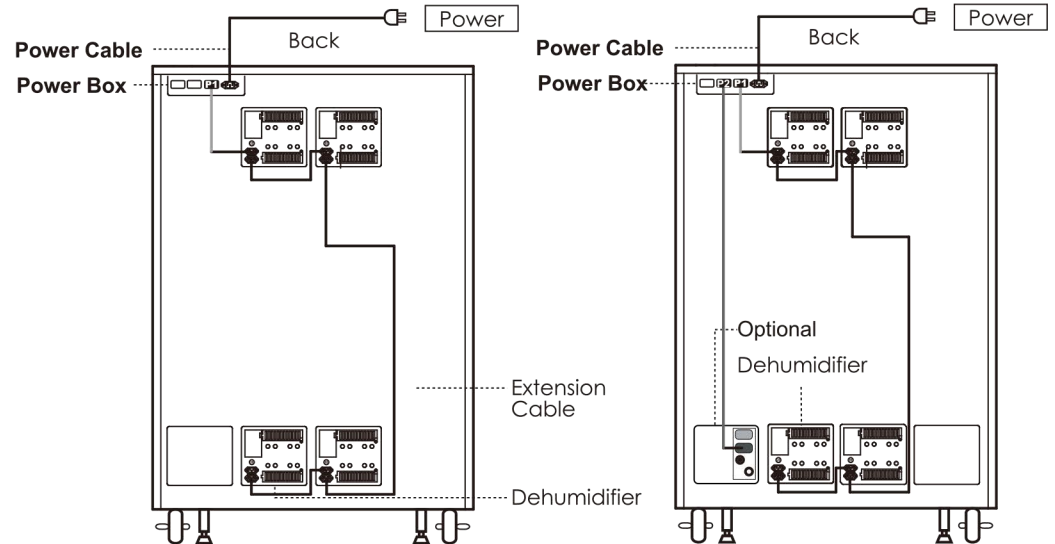
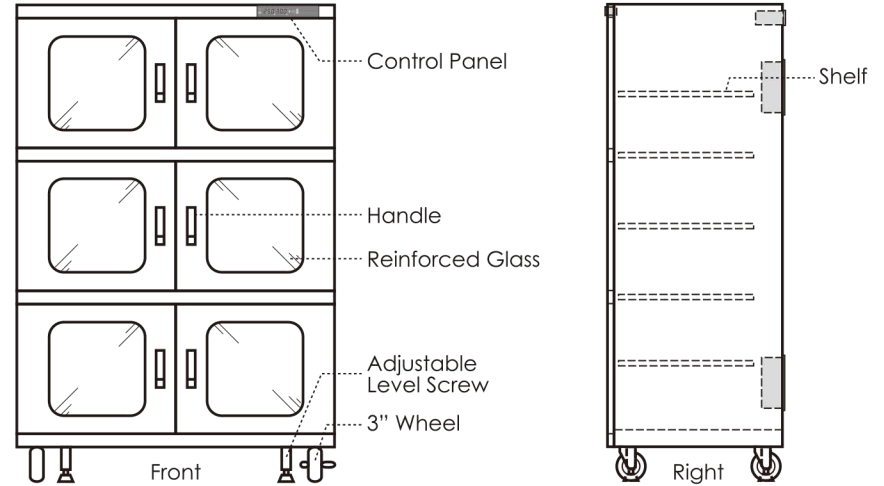
STEP2 Press ▲ or ▼ to reach the required humidity level of 20%RH. (setting range: 1~50%RH)



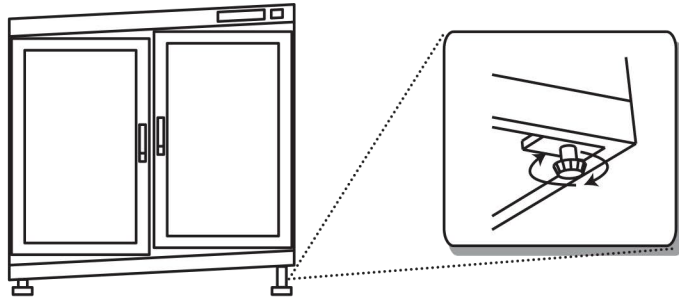
STEP3 Press SET to store the setting.



■ Dry Cabinet (<5%RH)

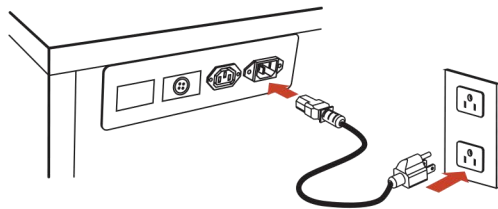
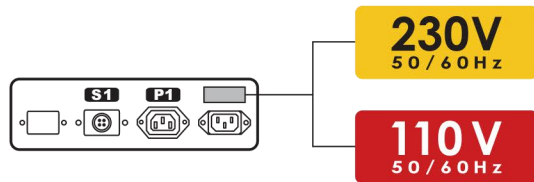


STEP1 Make even the cabinet. If the floor is not even, the doors will be stretched to unparallel situation. Adjust the knob to even the cabinet.



STEP2 Connect the modules according to the Wiring Diagram.

STEP3 Please ensure the Voltage Requirement of our cabinet matches your electric source before connecting.



STEP4 For the first time operation, please maintain an empty cabinet and switch it on for 24 hours before storing any items.

■ moveable column: The moveable column can be taken out for installing the shelves.

